



CE TEST REPORT

FOR

Digital Display Pressure Switch

Model :

DPSN1-01, DPSN2-01, DPSN3-01, DPSN1-10, DPSN2-10,
DPSN3-10, DPSP1-01, DPSP2-01, DPSP3-01, DPSP1-10,
DPSP2-10, DPSP3-10, DPSN1I-01, DPSN2I-01, DPSN3I-01,
DPSN1I-10, DPSN2I-10, DPSN3I-10, DPSP1I-01,
DPSP2I-01, DPSP3I-01, DPSP1I-10, DPSP2I-10, DPSP3I-10

Issued to

AirTAC International Group

No.28, Kanxi Rd., Xinshi Dist., Tainan City 74148, Taiwan (R.O.C.)

Issued by

PEP Certification Corp.

Open Site		No.120, Ln. 5, Hudong St., Xizhi Dist., New Taipei City 221, Taiwan (R.O.C.)
EMC Test Site	Xizhi Office and Lab	12F.-3, No.27-1, Ln. 169, Kangning St., Xizhi Dist., New Taipei City 221, Taiwan (R.O.C.)

Note: This test refers exclusively to the test presented test model and sample. This report shall not be reproduced except in full, without the written approval of PEP Certification Corp.. This document may be altered or revised by PEP Certification Corp.. Personnel only, and shall be noted in the revision section of the document.



TABLE OF CONTENTS	2
1. GENERAL INFORMATION	4
1.1 DESCRIPTION OF THE TESTED SAMPLES	5
1.2 SUMMARY OF TEST RESULT	6
1.3 TEST METHODOLOGY	7
1.4 DESCRIPTION OF THE SUPPORT EQUIPMENTS	7
1.5 FEATURES OF EUT: PLEASE REFER TO USER MANUAL OR PRODUCT SPECIFICATION.	7
2. INSTRUMENT AND CALIBRATION	8
2.1 MEASURING INSTRUMENT CALIBRATION	8
2.2 TEST AND MEASUREMENT EQUIPMENT	8
2.3 TEST PERFORMED	10
2.4 APPENDIX	11
3. CONDUCTED EMISSION MEASUREMENT	13
3.1 TEST SET-UP	13
3.2 LIMIT	13
3.3 TEST PROCEDURE	13
3.4 TEST SPECIFICATION	14
3.5 RESULT:	14
3.6 TEST DATA:	14
4. RADIATED EMISSION MEASUREMENT	15
4.1 TEST SETUP	15
4.2 LIMIT	16
4.3 TEST PROCEDURE	16
4.4 TEST SPECIFICATION	16
4.5 RESULT: PASSED	17
4.6 TEST DATA:	17
5. POWER HARMONIC MEASUREMENT	18
5.1 TEST SETUP	18
5.2 LIMIT OF HARMONIC CURRENT	18
5.3 TEST PROCEDURE	18
5.4 TEST SPECIFICATION	18
5.5 RESULT: PASSED	19
5.6 TEST DATA:	19
6. VOLTAGE FLUCTUATIONS	20
6.1 TEST SETUP	20
6.2 VOLTAGE FLUCTUATIONS TEST	20
6.3 TEST PROCEDURE	20
6.4 TEST SPECIFICATION	20
6.5 RESULT: PASSED	20
6.6 TEST DATA:	20
7. ELECTROSTATIC DISCHARGE IMMUNITY TEST (ESD)	21
7.1 TEST PROCEDURE	21
7.2 TEST SETUP	21
7.3 TEST LEVEL	21
7.4 TEST RESULT.	22
8. RADIATED SUSCEPTIBILITY MEASUREMENT (RS)	24
8.1 TEST SETUP	24
8.2 TEST PROCEDURE	24
8.3 TEST LEVEL	24



8.4	TEST PROCEDURE -----	25
8.5	TEST RESULT -----	25
9.	ELECTRICAL FAST TRANSIENT/BURST (EFT) -----	27
9.1	TEST SETUP-----	27
9.2	TEST PROCEDURE-----	27
9.3	TEST PROCEDURE -----	27
9.4	TEST LEVEL -----	28
9.5	TEST RESULT -----	28
10.	SURGE-----	29
10.1	TEST SETUP-----	29
10.2	TEST PROCEDURE-----	29
10.3	TEST LEVEL -----	29
10.4	TEST PROCEDURE -----	30
10.5	TEST RESULT -----	30
11.	IMMUNITY TEST TO CS CONDUCTED DISTURBANCE (CS) -----	31
11.1	TEST SETUP-----	31
11.2	TEST PROCEDURE-----	31
11.3	TEST LEVEL -----	31
11.4	TEST PROCEDURE -----	31
11.5	TEST RESULT -----	32
12.	POWER FREQUENCY MAGNETIC FIELD (MAGNETIC) -----	33
12.1	TEST SETUP-----	33
12.2	TEST STANDARD -----	33
12.3	TEST LEVEL -----	33
12.4	TEST PROCEDURE -----	33
12.5	TEST RESULT -----	34
13.	VOLTAGE DIPS AND INTERRUPTION MEASUREMENT -----	35
13.1	TEST SETUP-----	35
13.2	TEST PROCEDURE-----	35
13.3	TEST LEVEL -----	36
13.4	TEST PROCEDURE -----	36
13.5	TEST RESULT -----	37
14.	PERFORMANCE CRITERIA -----	38
15.	MEASUREMENT UNCERTAINTY -----	39

APPENDIX 1

PHOTOS OF TEST CONFIGURATION

APPENDIX 2

TEST DATA

APPENDIX 3

PHOTOS OF EUT



1. GENERAL INFORMATION

Applicant : AirTAC International Group

Address : No.28, Kanxi Rd., Xinshi Dist., Tainan City 74148, Taiwan (R.O.C.)

Manufacturer : AirTAC International Group

Address : No.28, Kanxi Rd., Xinshi Dist., Tainan City 74148, Taiwan (R.O.C.)

EUT : Digital Display Pressure Switch

Model Name : DPSN1-01, DPSN2-01, DPSN3-01, DPSN1-10, DPSN2-10, DPSN3-10, DPSP1-01, DPSP2-01, DPSP3-01, DPSP1-10, DPSP2-10, DPSP3-10, DPSN1I-01, DPSN2I-01, DPSN3I-01, DPSN1I-10, DPSN2I-10, DPSN3I-10, DPSP1I-01, DPSP2I-01, DPSP3I-01, DPSP1I-10, DPSP2I-10, DPSP3I-10

Model Differences : Model difference among serial models shown above is only for marketing purpose. The model, DPSN1-01, is the testing sample, and the final test data are shown on this test report.

Measurement procedure used:

EMI :

EN 55011:2009/A1:2010

EN 61000-6-3:2007/A1:2011

EMS :

EN 61000-6-1:2007

IEC 61000-4-2 : 2008

IEC 61000-4-3 : 2006+A1: 2007+A2:2010

IEC 61000-4-8 : 2009

According to the applicant's declaration this EUT is a class A product

The above equipment was tested by PEP Certification Corp. for compliance with EMC requirements set forth in the EUROPEAN COUNCIL DIRECTIVE 2004/108/EC and the technical standards mentioned above. The results of testing in this report apply only to the product/system, which was tested. Other similar equipment will not necessarily produce the same results due to production tolerance.

This test report shall not be reproducing in part without written approval of PEP Certification Corp.

Tested By:

Reviewed by:

Dec. 08, 2014

Date

Husbert.

Husbert Wang/ Engineer

Dec. 08, 2014

Date

Alex Chou

Alex Chou / Manager



1.1 DESCRIPTION OF THE TESTED SAMPLES

EUT

EUT Type : Engineer Type

Condition when received : Good Damage :

EUT Name : Digital Display Pressure Switch

Model Number : DPSN1-01

Receipt Date : 11/25/2014

EUT Power Rating : AC Power
 DC Power: 12 to 24 Vdc
 DCV from PC
 DCV from Adaptor

I/O Port : N/A



1.2 SUMMARY OF TEST RESULT

Emission				
Test Standard	Test Item	Test Result		
EN55011 EN 61000-6-3	Conducted Emission	N/A		
EN55011 EN 61000-6-3	Radiated Emission	Pass		
EN61000-3-2	Harmonic	N/A		
EN61000-3-3	Flicker	N/A		
Immunity				
Test Standard	Test Item	Performance Criteria	Observed Result Class	Test Result
IEC61000-4-2	Electrostatic Discharge	B	A	Pass
IEC61000-4-3	Radiated Susceptibility	A	A	Pass
IEC61000-4-4	Electrical Fast Transient	B	N/A	N/A
IEC61000-4-5	Surge	B	N/A	N/A
IEC61000-4-6	Conducted Susceptibility	A	N/A	N/A
IEC61000-4-8	Magnetic Field	A	A	Pass
IEC61000-4-11	Voltage Dips and Interruption	Dips >95% B	N/A	N/A
		Dips 30% C	N/A	N/A
		Interruptions >95% C	N/A	N/A



1.3 TEST METHODOLOGY

EUT SYSTEM OPERATION

- 1.The EUT was configured according to EN55011, EN 61000-6-3 and EN 61000-6-1.
- 2.Photos of test configuration please refer to appendix 1.
- 3.Perform the EMC testing procedures, and measure the maximum emission noise.

1.4 DESCRIPTION OF THE SUPPORT EQUIPMENTS

Setup Diagram

See test photographs attached in appendix 1 for the actual connections between EUT and support equipment.

Support Equipment

Peripherals Devices:

OUTSIDE SUPPORT EQUIPMENT							
No.	Equipment	Model	Serial No.	FCC ID/ BSMI ID	Trade name	Data Cable	Power Cord
1.	Load	10Ω 200W	N/A	N/A	N/A	N/A	Unshielded 0.1m

Note: All the above equipment/cable were placed in worse case position to maximize emission signals during emission test.

Grounding: Grounding was in accordance with the manufacturer's requirement and conditions for the intended use.

1.5 FEATURES OF EUT: PLEASE REFER TO USER MANUAL OR PRODUCT SPECIFICATION.



2. INSTRUMENT AND CALIBRATION

2.1 MEASURING INSTRUMENT CALIBRATION

The measuring equipment utilized to perform the tests documented in the report has been calibrated once a year or in accordance with the manufacturer's recommendations, and is traceable to recognized national standards.

2.2 TEST AND MEASUREMENT EQUIPMENT

The following list contains measurement equipment used for testing. The equipment conforms to the requirement of CISPR 16-1, ANSI C63.2 and other required standards.

Calibration of all test and measurement, including any accessories that may affect such calibration, is checked frequently to ensure the accuracy. Adjustments are made and correction factors are applied in accordance with the instructions contained in the respective.

TABLE LIST OF TEST AND MEASUREMENT EQUIPMENT

Test Site	Instrument	Manufacturer	Model No.	S/N	Next Cal. Date
Conduction	Receiver	R&S	ESHS10	830223/008	Nov. 23, 2015
	Spectrum Analyzer	ADVANTEST	R3261C	87120343	Mar. 18, 2015
	RF Cable	MIYAZAKI & Anritsu	RG58A0 & MP59B	M79094	Apr. 08, 2015
	L.I.S.N	Rolf Heine Hochfrequenz technik	NNB-2/16z	98062	Jan. 16, 2015
	EMI Test Receiver	R&S	EAHS-10	1093.4495.03	Mar. 21, 2015
	Click Analyzer	Schaffner	DIA1512C	5218	June 15, 2015
Radiation	Spectrum Analyzer	Nex1	NS-265	NO5044006	Aug. 04, 2015
	Antenna	Schwarzbeck	VULB 9161	4077	Feb. 02, 2015
	RF Cable	N/A	N/A	N/A	Jan. 18, 2015
	Pre-Amp	Schaffner	CPA-9232	1012	Jan. 20, 2015
EMS	Harmonic/ Flicker	EMC-PARTN ER	HAR-1000	066	Sep. 27, 2015
	ESD Simulator	NOISEKEN	ESS-2002	ESS0767151	Mar. 18, 2015



	EFT Noise Generator	EMC-PARTNER	TRANSIENT -2000	N/A	Sep. 03, 2015
	Surge Tester	EMC-PARTNER	TRANSIENT -2000	N/A	Mar. 17, 2015
	CDN	FRANKONIA	CDN M2+M3	A3011021	Nov. 23, 2015
	T4 CDN	FRANKONIA	CDN-RJ45	A3023011	Nov. 17, 2015
	Conducted Immunity Test System	FRANKONIA	CIT-10175	102C3117	Nov. 23, 2015

※ Calibration interval of instruments listed above is one year



2.3 TEST PERFORMED

Conducted emissions were investigated over the frequency range from 0.15 MHz to 30 MHz using a receiver which resolution bandwidth is set at 9 KHz.

Radiated emissions were investigated over the frequency range from 30 MHz to 1000 MHz using a receiver which resolution bandwidth is set at 120 KHz. Radiated measurement was performed at distance that from an antenna to EUT is 10 meters.



2.4 APPENDIX

Appendix A: Measurement Procedure for Main Power Port Conducted Emissions

The measurements are performed in a lab's room; The EUT was placed on non-conductive 1.0m x 1.5m table, which is 0.8 meter above an earth-grounded.

Power to the EUT was provided through the LISN which has the Impedance (50 ohm/50 UH) vs. Frequency Characteristic in accordance with the standard. Power to the LISNs was filtered to eliminate ambient signal interference and these filters were bonded to the ground plane. Peripheral equipment required to provide a functional system (support equipment) for EUT testing was powered from the second LISN through a ganged, metal power outlet box which is bonded to the ground plane at the LISN.

If the EUT is supplied with a flexible power cord, the power cord length in excess of the distance separating the EUT from the LISN shall be folded back and forth at the center of the lead so as to form a bundle not exceeding 40cm in length. If the EUT is provided with a permanently coiled power cord, bundling of the cord is not required. If the EUT is supplied without a power cord, the EUT shall be connected to the LISN by a power cord of the type specified by the manufacturer which shall not be longer than 1 meter. The excess power cord shall be bundled as described above. If a non-flexible power cord is provided with the EUT, it shall be cut to the length necessary to attach the EUT to the LISN and shall not be bundled.

The interconnecting cables were arranged and moved to get the maximum measurement. Both the line of power cord and hot and neutral, was measured.

The highest emissions were analyzed in details by operating the spectrum analyzer in fixed tuned mode to determine the nature of the emissions and to provide information which could be useful in reducing their amplitude.

Appendix B: Test Procedure for Radiated Emissions

Preliminary Measurements in the Anechoic Chamber

The radiated emissions are initially measured in the anechoic chamber at a measurement distance of 3 meters. Desktop EUT are placed on a wooden stand 0.8 meter in height. The measurement antenna is 3 meters from the EUT. The test setup in anechoic chamber is the same as open site. The turntable rotated 360°. The antenna height is 1 m. The primary objective of the radiated measurements in the anechoic chamber is to identify the frequency spectrum in the absence of the electromagnetic environment existing on the open test site. The frequencies can then be pre-selected on the open test site to obtain the corresponding amplitude. The initial scan is made with the spectrum analyzer in automatic sweep mode. The spectrum peaks are then measured manually to determine the exact frequencies.



Measurements on the Open Site or Chamber

The test procedure as described below is skipped if the test result for the Anechoic chamber as mentioned above is far below the limits.

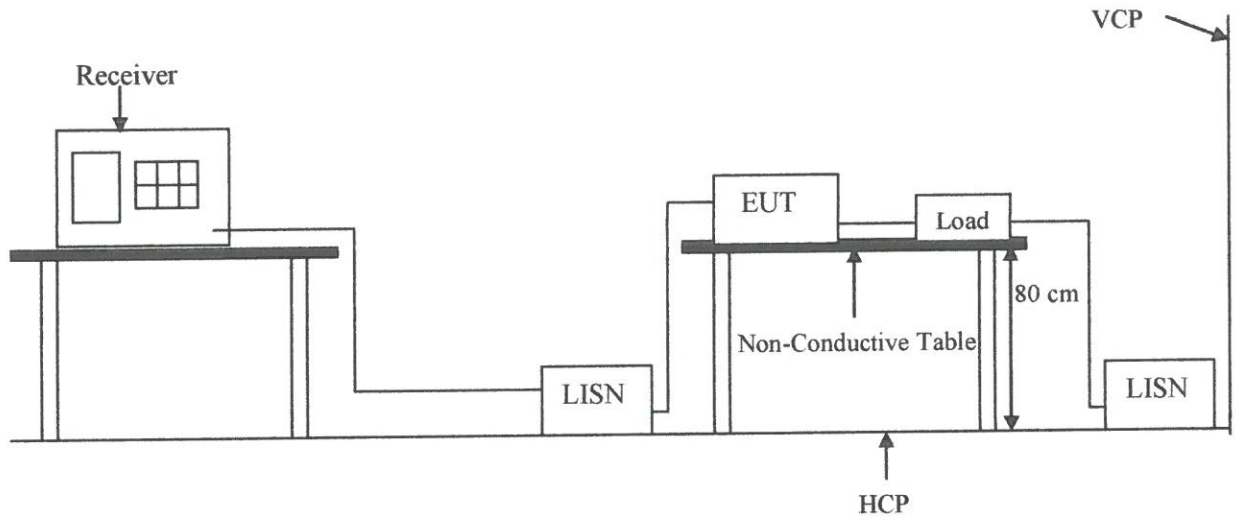
The radiated emissions test will then be repeated on the open site or chamber to measure the amplitudes accurately and without the multiple reflections existing in the shielded room. The EUT and support equipments are set up on the turntable. Desktop EUT are set up on a wooden stand 0.8 meter above the ground.

For the initial measurements, the receiving antenna is varied from 1-4 meter height and is changed in the vertical plane from vertical to horizontal polarization at each frequency. Both reading are recorded with the quasi-peak detector with 120 KHz bandwidth. For frequency between 30 MHz and 1000 MHz, the reading is recorded with peak detector or quasi-peak detector.

At the highest amplitudes observed, the EUT is rotated in the horizontal plane while changing the antenna polarization in the vertical plane to maximize the reading. The interconnecting cables were arranged and moved to get the maximum measurement. Once the maximum reading is obtained, the antenna elevation and polarization will be varied between specified limits to maximize the readings.

3. CONDUCTED EMISSION MEASUREMENT

3.1 TEST SET-UP



3.2 LIMIT

Frequency range (MHz)	CLASS A		CLASS B	
	QP Db(Uv)	Average Db(Uv)	QP Db(Uv)	Average Db(Uv)
0.15-0.5	79 dBuV	66 dBuV	66 — 56 dBuV	56 — 46 dBuV
0.5-5.0	73 dBuV	60 dBuV	56 dBuV	46 dBuV
5.0-30.0	73 dBuV	60 dBuV	60 dBuV	50 dBuV

Remark: In the above table, the tighter limit applies at the band edges.

3.3 TEST PROCEDURE

The EUT and simulators are connected to the main power through a line impedance stabilization network (LISN). It provides a 50 ohm / 50 μ H coupling impedance for the measuring equipment. The peripheral devices are also connected to the main power through a LISN that provides a 50 ohm / 50 μ H coupling impedance with 50 ohm termination. (Please refer to the block diagram of the test setup and photograph.)

Both sides of AC line are checked for the maximum conducted emission interference. In order to find the maximum emissions, the relating positions of equipment and all of the interference cables must be changed according to CISPR 14 regulations: The measurement procedure on conducted emission interference.

The resolution bandwidth of the field strength meter is set at 9 KHz.



3.4 TEST SPECIFICATION

According to IEC 61000-6-3, EN55011

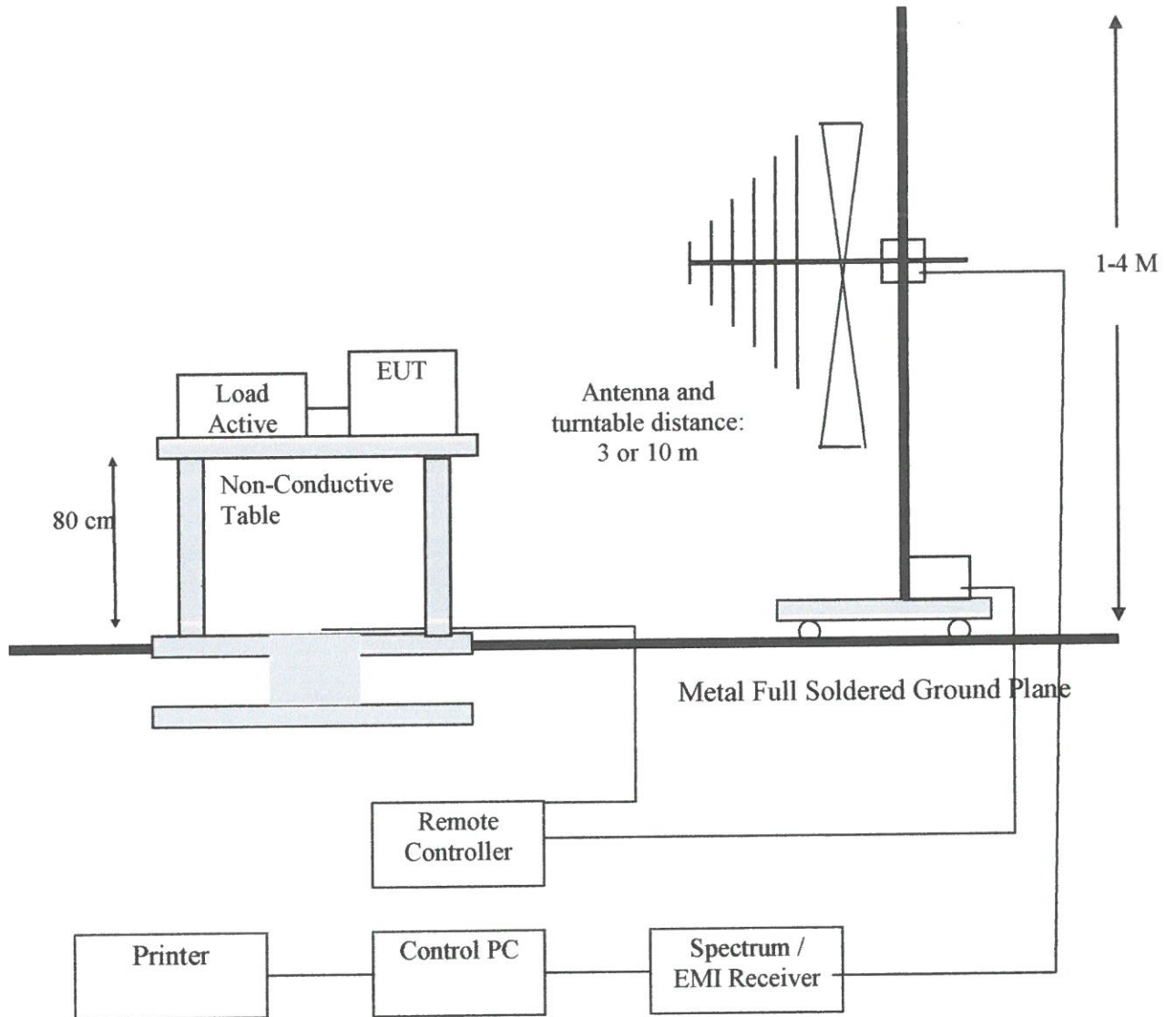
(Please refer to Page 4 for dated references which are related to the standard as mentioned above)

3.5 RESULT: NOT AVAILABLE FOR THIS EUT.

3.6 TEST DATA: N/A

4. RADIATED EMISSION MEASUREMENT

4.1 TEST SETUP





4.2 LIMIT

Frequency MHz	Class A		Class B	
	Distance (Meter)	Limit Db μ V/m	Distance (Meter)	Limit Db μ V/m
30 ~ 230	10	40	10	30
230 ~ 1000	10	47	10	37

For Class A

Frequency range GHz	Average limit Db(μ V/m)	Peak limit Db(μ V/m)
1 to 3	56	76
3 to 6	60	80
NOTE The lower limit applies at the transition frequency.		

For Class B

Frequency range GHz	Average limit Db(μ V/m)	Peak limit Db(μ V/m)
1 to 3	50	70
3 to 6	54	74
NOTE The lower limit applies at the transition frequency.		

Remark: In the above table, the tighter limit applies at the band edges

4.3 TEST PROCEDURE

The EUT and its simulators are placed on turn table, non-conductive and wooden table, which is 0.8 meter above ground. The turn table rotates 360 degrees to determine the position of the maximum emission level. The EUT was positioned such that distance from antenna to the EUT is 10 meters.

The antenna is moved up and down between 1 meter and 4 meters to receive the maximum emission level.

Both horizontal and vertical polarizations of the antenna are set on measurement. In order to find the maximum emission, all of the interference cables must be manipulated according to EN 55011 regulations: the test procedure of the radiated emission measurement.

The bandwidth set on the field strength is 120 KHz when the frequency range is below 1 GHz

4.4 TEST SPECIFICATION

According to IEC 61000-6-3, EN55011

(Please refer to Page 4 for dated references which are related to the standard as mentioned above)



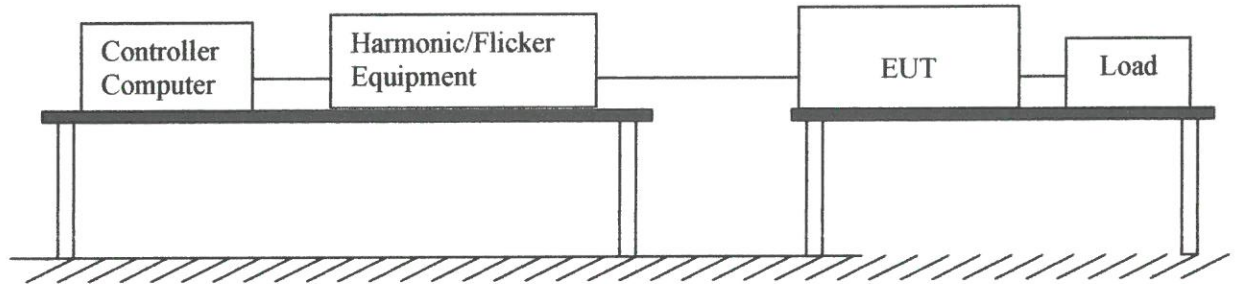
4.5 RESULT: PASSED

4.6 TEST DATA:

Please refer to appendix 2.

5. POWER HARMONIC MEASUREMENT

5.1 TEST SETUP



5.2 LIMIT OF HARMONIC CURRENT

Limit of Harmonic Currents

Harmonic Order	Maximum Permissible Harmonic Current (Ampere)	Harmonic Order	Maximum Permissible Harmonic Current (Ampere)
Odd Harmonic		Even Harmonic	
3	2.30	2	1.08
5	1.14	4	0.43
7	0.77	6	0.30
9	0.40	$8 \leq n \leq 40$	$0.23 \times 8/n$
11	0.33		
13	0.21		
$15 \leq n < 39$	$0.15 \times 15/n$		

5.3 TEST PROCEDURE

The EUT is supplied in series with power analyzer from a power source has the same normal voltage and frequency as the rated supply voltage and the equipment under test. The rated voltage at the supply voltage of EUT of 0.94 time and 1.06 times shall be performed.

5.4 TEST SPECIFICATION

According to IEC 61000-3-2

(Please refer to Page 4 for dated references which are related to the standard as mentioned above)

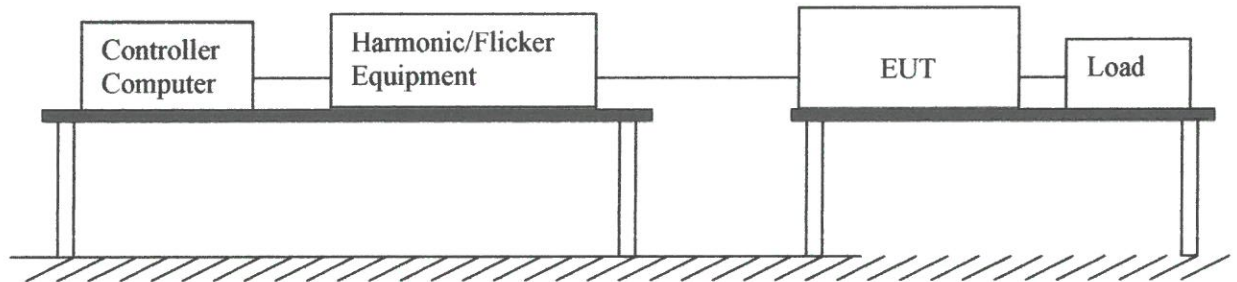


5.5 RESULT: NOT AVAILABLE FOR THIS EUT.

5.6 TEST DATA: N/A

6. VOLTAGE FLUCTUATIONS

6.1 TEST SETUP



6.2 VOLTAGE FLUCTUATIONS TEST

Port:	AC mains
Basic Standard:	IEC 61000-3-3
Test Procedure	Refer to paragraph 6.3
Observation period:	For Pst 10min
	For Plt 2 hours

6.3 TEST PROCEDURE

The EUT is supplied in series with reference impedance from a power source with the voltage and frequency as the nominal supply voltage and frequency of the EUT.

6.4 TEST SPECIFICATION

According to IEC 61000-3-3

(Please refer to Page 4 for dated references which are related to the standard as mentioned above)

6.5 RESULT: NOT AVAILABLE FOR THIS EUT.

6.6 TEST DATA: N/A

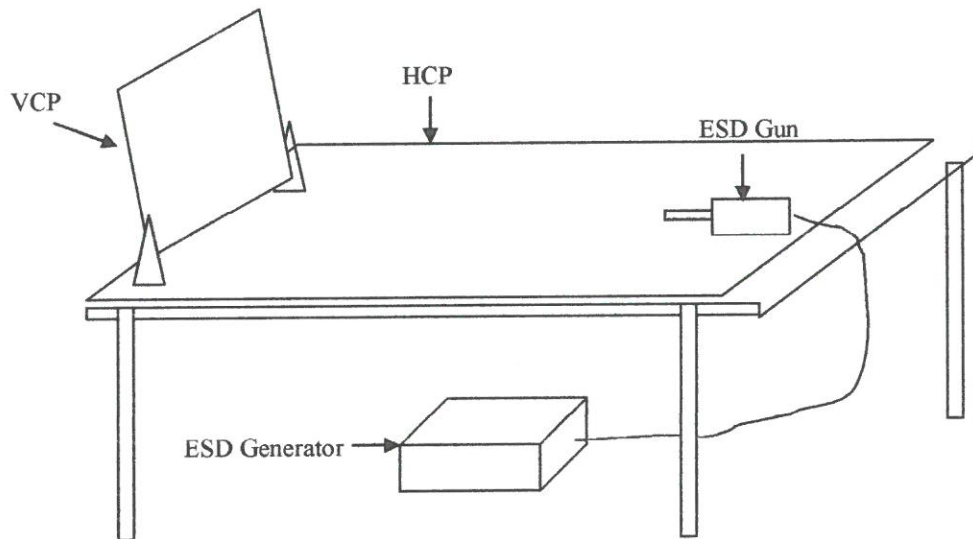
7. ELECTROSTATIC DISCHARGE IMMUNITY TEST (ESD)

7.1 TEST PROCEDURE

According To IEC 61000-4-2
EN 61000-6-1, EN55011

(Please refer to Page 4 for dated references which are related to the standard as mentioned above)

7.2 TEST SETUP



7.3 TEST LEVEL

Item	Test Specification	Unit	Performance Criteria
Enclosure Room	±2, 4, 8 (Air Discharge)	KV (Charge Voltage)	B
Electrostatic Discharge	±2,4 (Contact Discharge)		
Time between test	1	sec	

Number of test: 10 Discharges / Test point / Polarity / Level

Particular requirements: N/A

When the measurement was taken, The ESD discharger was performed in single discharge. For the single discharge time between successive single discharges will keep on one second. It was at least ten single discharges with positive and negative at the same selected pointed. The selected pointed, which was performed with electrostatic discharge, was marked on the red label on the EUT

Indirect applicant of discharge to the EUT

Vertical Coupling Plane (VCP)



The coupling plane, of dimensions 0.5m x 0.5m, is placed parallel to , and positioned at a distance 0.1m from, the EUT, with the discharge electrode touching the coupling plane.

The four faces of the EUT will be performed with electrostatic discharge. It was at least ten singles discharges with positive and negative at the same selected point.

Horizontal Coupling Plane (HCP)

The coupling plane is placed under the EUT. The generator shall be positioned vertically at a distance of 0.1m from the EUT, with the discharge electrode touching the coupling.

The four faces of the EUT will be performed with electrostatic discharge. It was at least ten single discharges with positive and negative at the same selected pointed.

7.4 TEST RESULT.

Model: DPSN1-01

Temperature: 26 °C , Humidity: 59 % RH

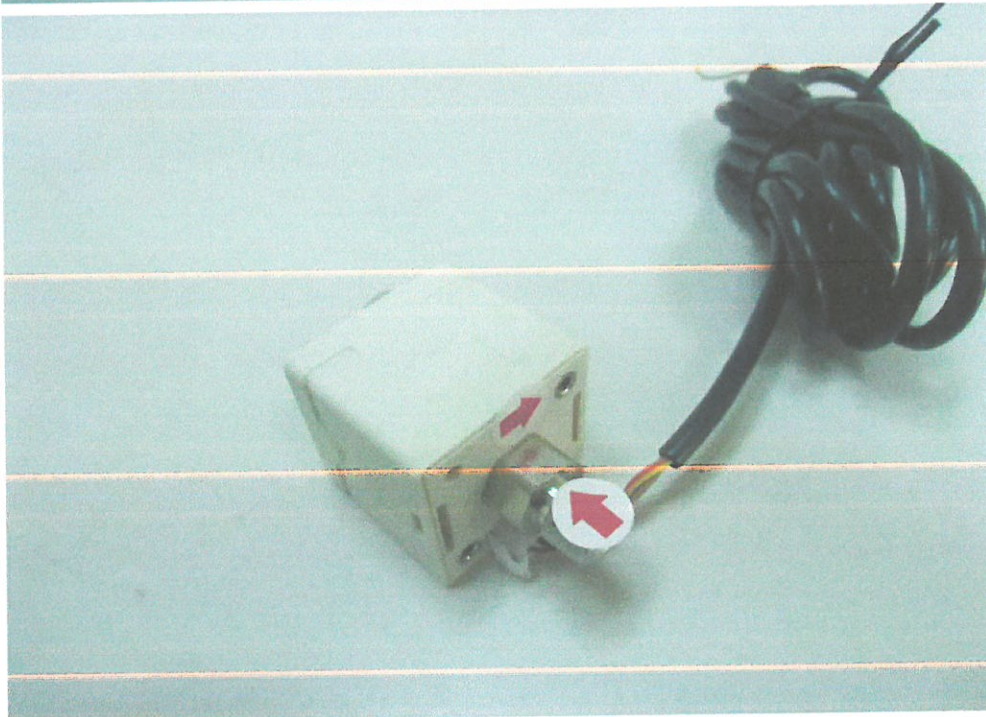
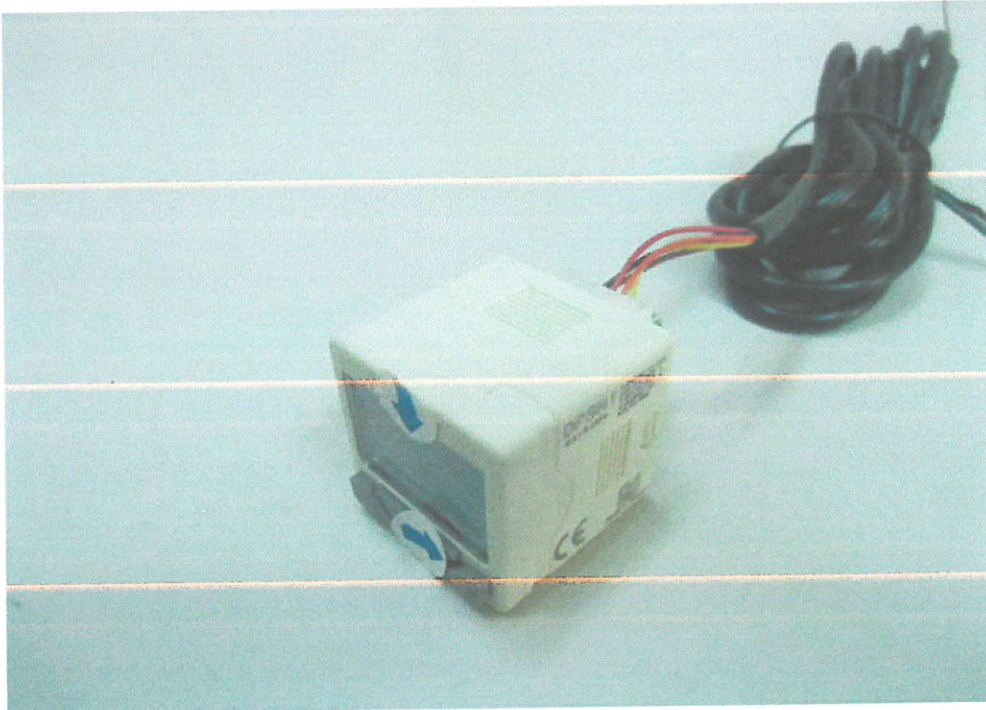
Test Item : Direct Discharge															
Contact Discharge								Air Discharge							
2 KV		4 KV		KV		KV		2 KV		4 KV		6 KV		8 KV	
+	-	+	-	+	-	+	-	+	-	+	-	+	-	+	-
A	A	A	A	/	/	/	/	A	A	A	A	A	A	A	A
Test Item : Indirect Discharge															
Contact Discharge															
	2 KV		4 KV		KV		KV								
	+	-	+	-	+	-	+	-							
1	A	A	A	A	/	/	/	/							

Performance Criteria:

- A) Normal performance within the specification;
 - B) Temporary degradation or less of function of performance which is self recoverable;
 - C) Temporary degradation or less of function or perform. Which requires. operate intervention or system reset;
 - D) Degradation or loss of function which is not recoverable due to damage of equipment (components) or software, or loss of data;
- "/" : no test.



Test points please refer below photos.



Red dot: Contact; Blue dot: Air

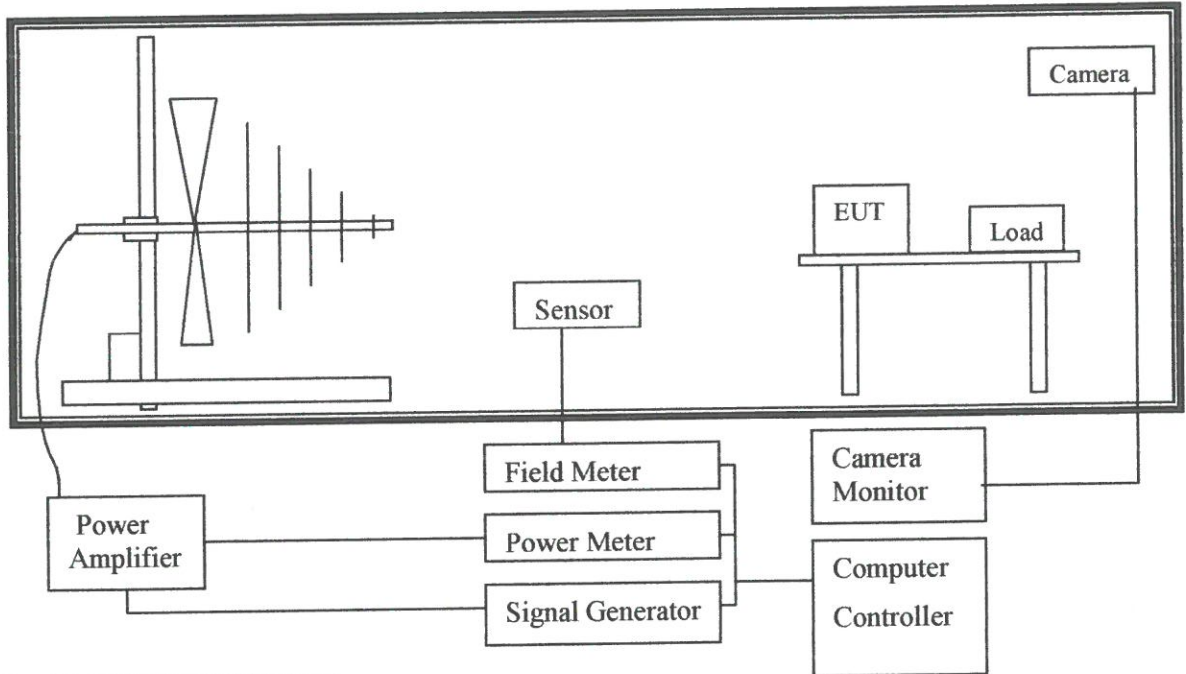
Final Result: **PASSED**

Remark:

Photos of test configuration please refer to appendix 1.

8. RADIATED SUSCEPTIBILITY MEASUREMENT (RS)

8.1 TEST SETUP



8.2 TEST PROCEDURE

According To IEC 61000-4-3
EN 61000-6-1, EN55011

(Please refer to Page 4 for dated references which are related to the standard as mentioned above)

8.3 TEST LEVEL

Item	Test Specification	Unit	Performance Criteria
Radio –Frequency	1400~2000	MHz	A
Electromagnetic Field	3	V/m (unmodulated, rms)	
Amplitude Modulated	80	%AM (1 KHz)	

Item	Test Specification	Unit	Performance Criteria
Radio –Frequency	2000~2700	MHz	A
Electromagnetic Field	1	V/m (unmodulated, rms)	
Amplitude Modulated	80	%AM (1 KHz)	



8.4 TEST PROCEDURE

The EUT and load, which are placed on a wooden table that the height is 0.8 meter above ground, are placed with one coincident with the calibration plane such that the distance from antenna to the EUT is 3 meters.

Both horizontal and vertical polarization of the antenna position and four sides of the EUT are set on measurement. In order to judge the EUT performance, a CCD camera is used to monitor the situation of EUT.

All the scanning conditions are as follows:

Condition of Test	Remarks
1. Field Strength	3, 1 V/m; Level 2
2. Radiated Signal	AM 80 % modulated with 1 KHz
3. Scanning Frequencies	0.15 MHz ~80 MHz
4. Dwell Time	3 seconds
5. Frequency step size	1%
6. The rate of swept of frequency	1.5×10^{-3} decades/s
7. Antenna Polarity	HORIZONTAL & VERTICAL
8. The four sides of EUT are tested	FRONT, REAR, RIGHT, LEFT

8.5 TEST RESULT

Model: DPSN1-01

Temperature: 26 °C , Humidity: 59 % RH

ANT SIDE	3, 1 V HORIZONTAL	3, 1 V VERTICAL	RESULT
FRONT	A	A	PASSED
REAR	A	A	PASSED
RIGHT	A	A	PASSED
LEFT	A	A	PASSED

Performance Criteria:

- A) Normal performance within the specification;
- B) Temporary degradation or less of function of performance which is self recoverable;
- C) Temporary degradation or less of function or perform. Which requires. operate intervention or system reset;
- D) Degradation or loss of function which is not recoverable due to damage of equipment (components) or software, or loss of data;

"/" : no test.



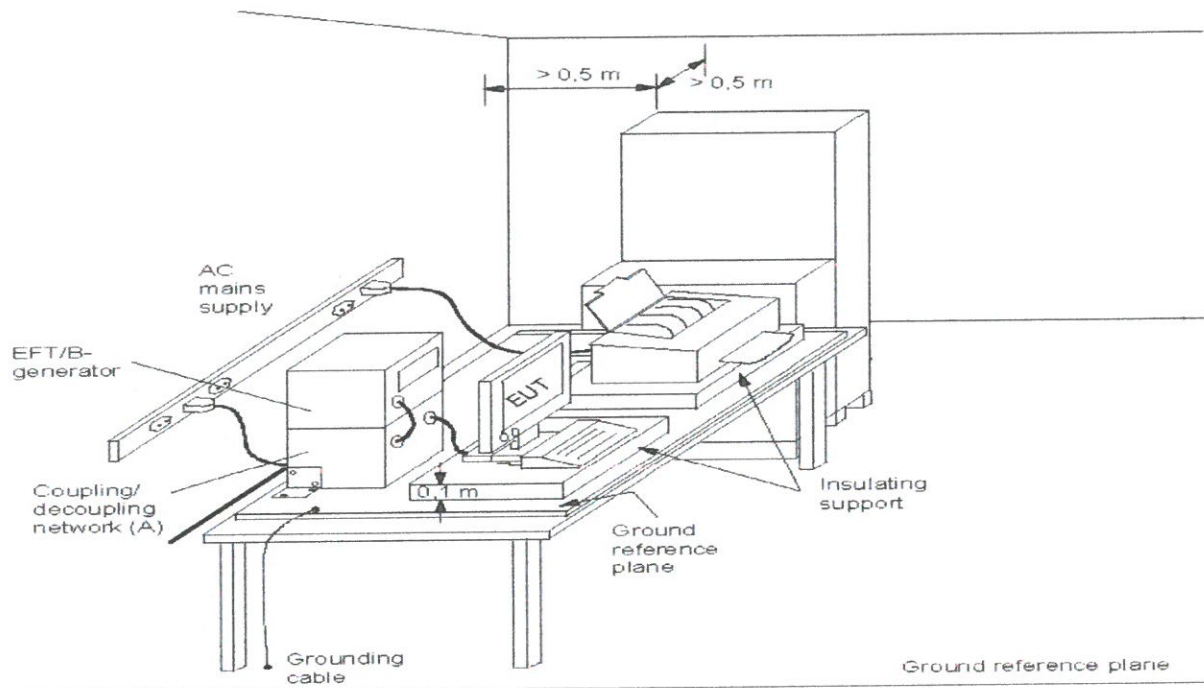
Final Result: **PASSED**

Remark:

Photos of test configuration please refer to appendix 1.

9. ELECTRICAL FAST TRANSIENT/BURST (EFT)

9.1 TEST SETUP



9.2 TEST PROCEDURE

According To IEC 61000-4-4

EN 61000-6-1, EN55011

(Please refer to Page 4 for dated references which are related to the standard as mentioned above)

9.3 TEST PROCEDURE

The EUT and load are placed on a ground reference plane and insulated from it by an insulating support $0,1\text{ m} \pm 0,01\text{ m}$ thick. The minimum area of the ground reference plane is $1\text{ m} \times 1\text{ m}$. It also projected beyond the EUT by at least 0.1meter on all sides.

For Input and Output AC power or DC Input and DC Output Power Ports:

The EUT is connected with the power mains through a coupling device that directly couples the EFT interference signal.

Each of the line and nature conductors is impressed with burst noise for 1 minute.

For Protective Earth Port:

The EUT is connected to the power mains through a coupling device that directly couples the EFT interference signal. The protective earth line (PE) is impressed with burst noise for 1 minute.

The length of power cord between the coupling device and the EUT shall be $0,5\text{ m} \pm 0,05\text{ m}$.

For signal Lines and Control Lines Test:

The EFT interference signal is through a coupling clamp device couples to the signal and control lines of the EUT with burst noise for 1 minute.



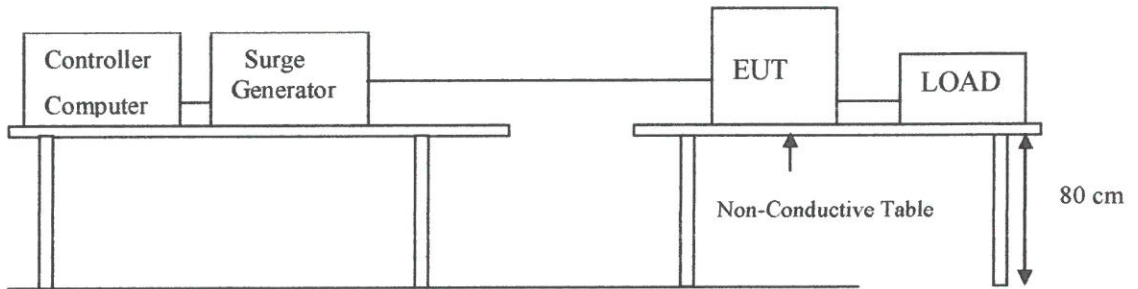
9.4 TEST LEVEL

Item	Test Specification	Unit	Performance Criteria
Test Voltage	$\pm 0.5, \pm 1, \pm 2$	KV (Peak)	B
Pulse Rise time & Duration	5/50	Tr/Ts (ns)	
Pulse Repetition	5	Rep. Frequency (KHz)	
Coupling of power line	L, N, PE, L+N, L+PE, N+PE, L+N+PE		

9.5 TEST RESULT: NOT AVAILABLE FOR THIS EUT.

10. SURGE

10.1 TEST SETUP



10.2 TEST PROCEDURE

According To IEC 61000-4-5

EN 61000-6-1, EN55011

(Please refer to Page 4 for dated references which are related to the standard as mentioned above)

10.3 TEST LEVEL

Item	Test Specification	Unit	Performance Criteria
DC Input and DC Output Power Ports			
Surge	1.2/50(8/20)	Tr/Ts ((s)	B
Line to Ground	±0.5	KV	
Line to Line	±0.5	KV	
AC Input and AC Output Power Ports			
Surge	1.2/50(8/20)	Tr/Ts ((s)	B
Line to Ground	±2	KV	
Line to Line	±1	KV	
Polarity	POSITIVE / NEGATIVE		
Phase shifting in a range between 0°to 360°			



10.4 TEST PROCEDURE

The EUT and its load are placed on a table which is 0.8 meter height. The length of power cord between the coupling device and the EUT shall be 2 meters or less.

For Input and Output AC Power or DC Input and DC Output Power Ports:

The EUT is connected to the power mains through a coupling device that directly couples the Surge interference signal.

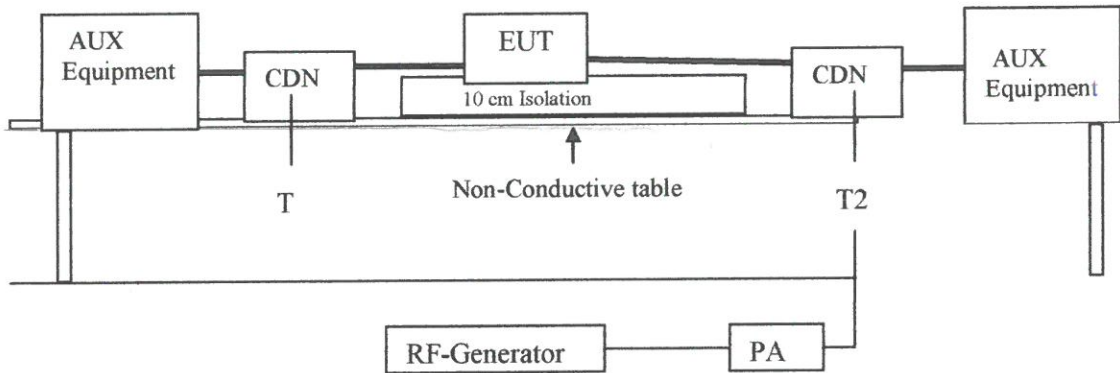
The Surge noise shall be applied synchronized to the voltage phase at 0°, 90°, 180°, 270° and the peak value of the AC voltage wave. (5 Positive and 5 Negative)

Each of line-earth and line-line is impressed with a sequence of five surge voltages with interval of 1 minute.

10.5 TEST RESULT: NOT AVAILABLE FOR THIS EUT.

11. IMMUNITY TEST TO CS CONDUCTED DISTURBANCE (CS)

11.1 TEST SETUP



11.2 TEST PROCEDURE

According To IEC 61000-4-6
EN 61000-6-1, EN55011

(Please refer to Page 4 for dated references which are related to the standard as mentioned above)

11.3 TEST LEVEL

Item	Test Specification	Unit	Performance Criteria
Ports for Signal Lines			
Radio-Frequency	0.15 ~ 80	MHz	A
Common Mode	3	V (rms, Unmodulated)	
Amplitude Modulated	80	%AM (1 KHz)	
	150	Source Impedance	
Ac Input and AC Output and DC Input and DC output Ports and Functional Earth Ports			
Radio-Frequency	0.15 ~ 80	MHz	
Common Mode	3	V (rms, Unmodulated)	A
Amplitude Modulated	80	%AM (1 KHz)	
	150	Source Impedance	

11.4 TEST PROCEDURE

The EUT are placed on a table which is 0.8meter height and a ground reference plane on the table, the EUT are placed upon table and use 10cm insulation between the EUT and ground reference plane.

For AC Input and AC Output Power or DC Input and DC Output Power Ports

The EUT is connected to the power mains through a coupling and decoupling networks for Power supply lines. It also directly couples the disturbance signal into EUT.

Use CDN-M2 for two wires or CDN-M3for three wires.



For Signal Lines and Control Lines Test:

The disturbance signal is through a coupling and decoupling networks (CDN) or EM-clamp which is to couple the signal and control lines of the EUT.

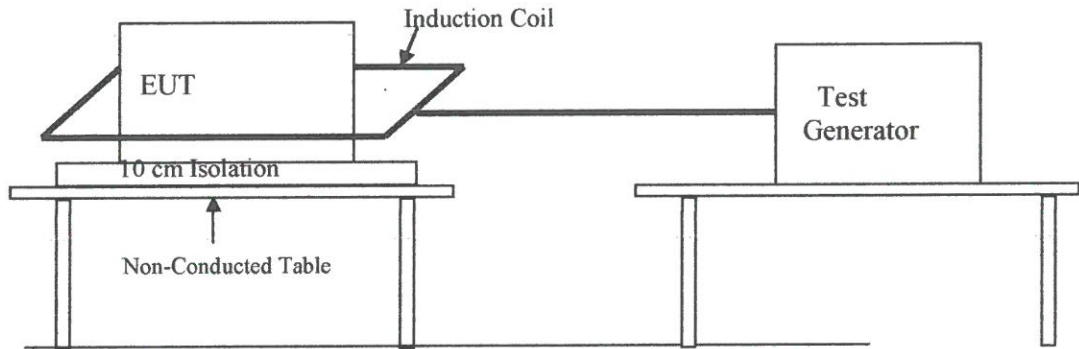
All scanning frequencies conditions are as following:

Condition of Test	Remarks
IEC 61000-4-6	
1. Field Strength	3 V; Level 2
2. Radiated Signal	AM 80% modulated with 1 KHz
3. Scanning Frequencies	0.15 MHz ~ 80 MHz
4. Dwell Time	3 seconds
5. Frequency step size Δf	1%
6. The rate of swept of frequency	1.5×10^{-3} decades/s

11.5 TEST RESULT: NOT AVAILABLE FOR THIS EUT.

12. POWER FREQUENCY MAGNETIC FIELD (MAGNETIC)

12.1 TEST SETUP



12.2 TEST STANDARD

According To IEC 61000-4-8

EN 61000-6-1, EN55011

(Please refer to Page 4 for dated references which are related to the standard as mentioned above)

12.3 TEST LEVEL

Item	Test Specification	Unit	Performance Criteria
Power-Frequency	50	Hz	A
Magnetic Field	3	A/m	

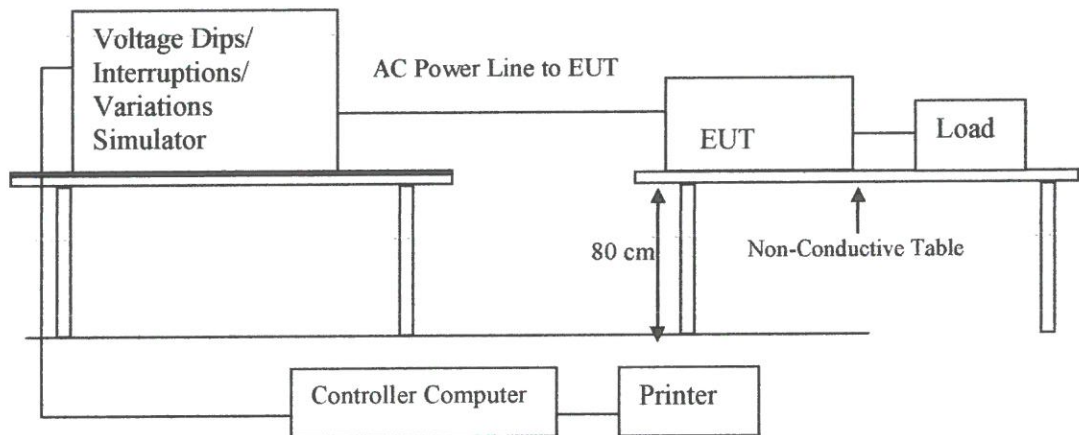
12.4 TEST PROCEDURE

The EUT and its load are placed on a table which is 0.8 meter height and on the GRP with the interposition of a 0,1 m thickness insulating support. The ground plane (GRP) is a non magnetic metal sheet with minimum size of the ground plane is 1 m × 1 m.

The test magnetic field shall be applied by the immersion method to the EUT. The induction coil shall be rotated by 90° in order to expose the EUT to the test field with different orientation (X, Y, Z orientation).

13. VOLTAGE DIPS AND INTERRUPTION MEASUREMENT

13.1 TEST SETUP



13.2 TEST PROCEDURE

According To IEC 61000-4-11

EN 61000-6-1, EN55011

(Please refer to Page 4 for dated references which are related to the standard as mentioned above)



13.3 TEST LEVEL

Class ^a	Test level and durations for voltage dips				
Class 1	Case-by-case according to the equipment requirements				
Class 2	0 % during 1/2 cycle	0 % during 1 cycle	70 % during 25/30 ^c cycles		
Class 3	0 % during 1/2 cycle	0 % during 1 cycle	40 % during 10/12 ^c cycles	70 % during 25/30 ^c cycles	80 % during 250/300 ^c cycles
Class X ^b	X	X	X	X	X

a: Classes as per IEC 61000-2-4.
b: To be defined by product committee. For equipment connected directly or indirectly to the public network, the levels must not be less severe than Class 2.
c: "25/30 cycles" means "25 cycles for 50 Hz test" and "30 cycles for 60 Hz test".

Class ^a	Test level and durations for short interruptions (t _s) (50Hz / 60Hz)
Class 1	Case-by-case according to the equipment requirements
Class 2	0 % during 250/300 ^c cycles
Class 3	0 % during 250/300 ^c cycles
Class X ^b	X

a: Classes as per IEC 61000-2-4.
b: To be defined by product committee. For equipment connected directly or indirectly to the public network, the levels must not be less severe than Class 2.
c: "250/300 cycles" means "250 cycles for 50 Hz test" and "300 cycles for 60 Hz test".

13.4 TEST PROCEDURE

The test is performed with the EUT connected to the test generator with the shortest power supply cable as specified by the EUT manufacturer.

If no cable length is specified, it is the shortest possible length suitable to the application of the EUT.

The EUT is tested for each selected combination of test level and duration with a sequence of three dips/interruptions with intervals of 10 s minimum (between each test event).

For voltage dips, changes in supply voltage shall occur at zero crossings of the voltage, and at additional angles considered critical by product committees or individual product specifications preferably selected from 45°, 90°, 135°, 180°, 225°, 270° and 315° on each phase.



13.5 TEST RESULT: NOT AVAILABLE FOR THIS EUT.



14. PERFORMANCE CRITERIA

- A. The apparatus shall continue to operate as intended during and after the test. No degradation of performance or loss of function is allowed below a performance level specified by the manufacturer, when the apparatus is used as intended.
- B. The apparatus shall continue to operate as intended after the test. No degradation of performance or loss of function is allowed below a performance level specified by the manufacturer, when the apparatus is used as intended. The performance level may be replaced by a permissible loss of performance. During the test, degradation of performance is however allowed.
- C. Temporary loss of function is allowed, provided the function is self-recoverable or can be restored by the operation of the controls.



15. MEASUREMENT UNCERTAINTY

Measurement Item	Measurement Frequency	Polarization	Uncertainty
Conducted Emission	9 kHz ~ 30 MHz	LINE/NEUTRAL	1.78 dB
Radiated Emission	30 MHz ~ 1,000 MHz	Vertical / Horizontal	1.96 dB
	1,000 MHz ~ 6,000 MHz	Vertical / Horizontal	3.00 dB

Appendix 1
PHOTOS OF TEST CONFIGURATION

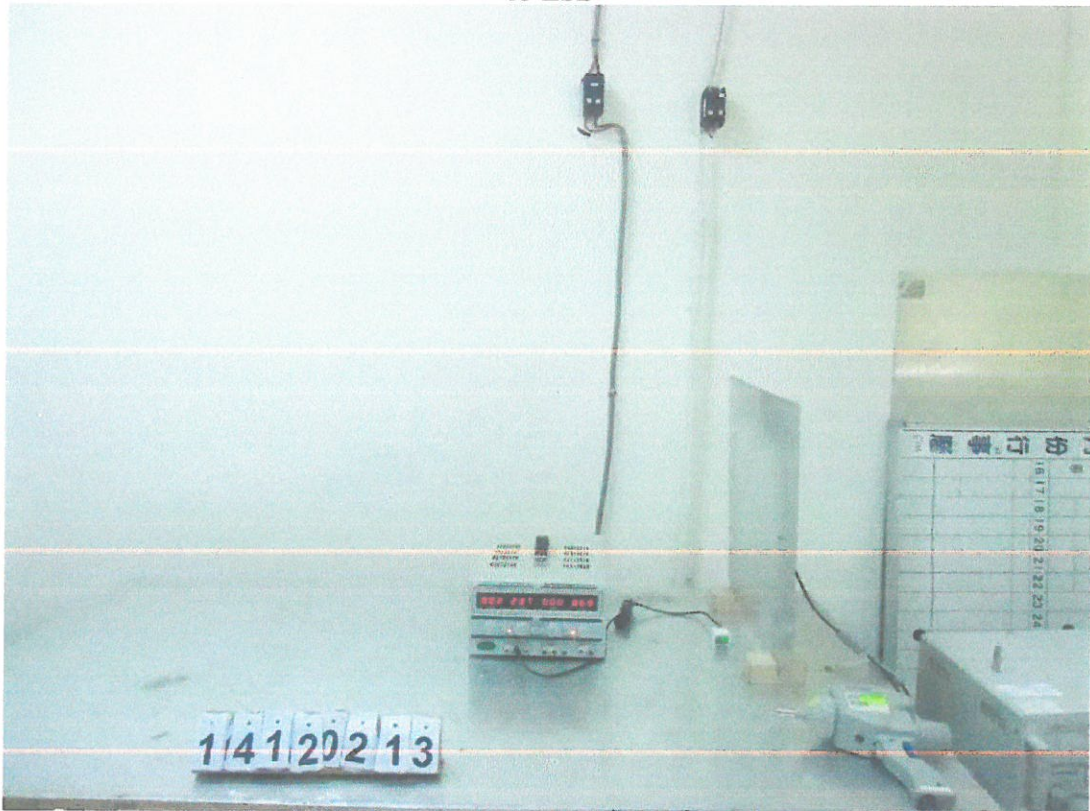
01 RE Front View



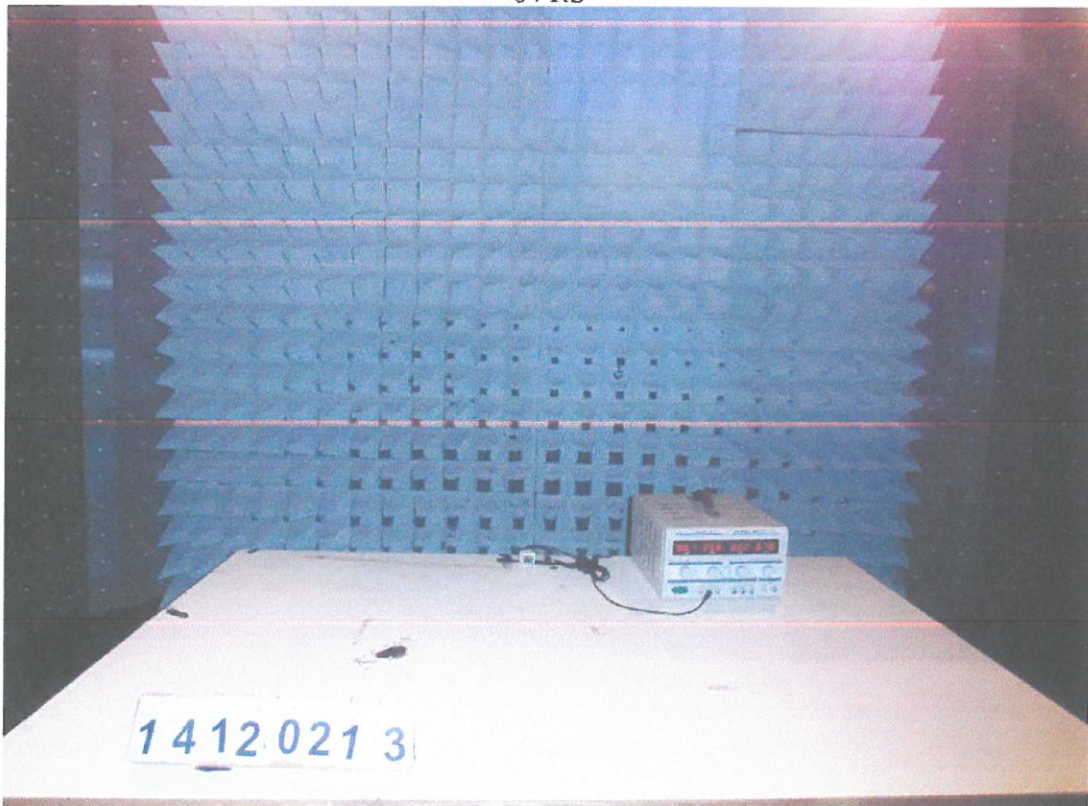
02 RE Rear View



03 ESD



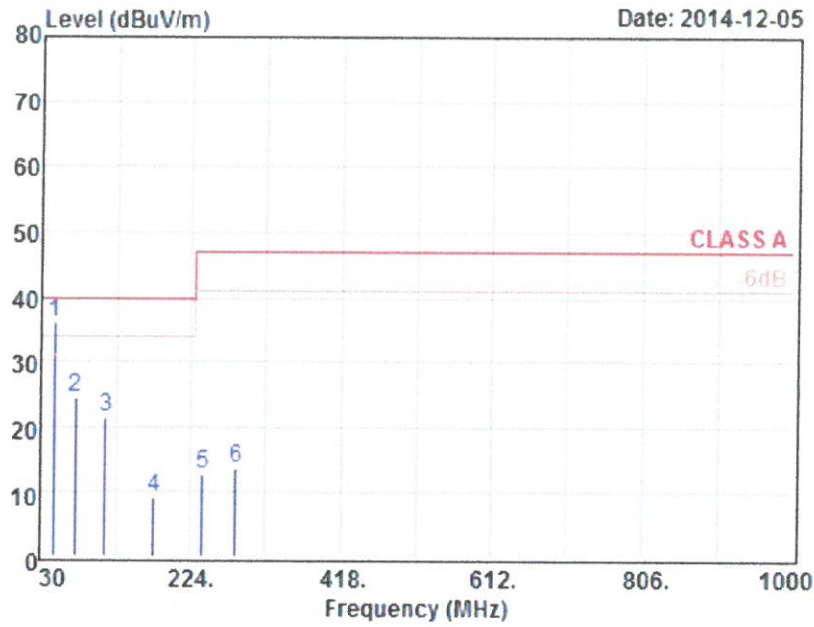
04 RS





Appendix 2
TEST DATA

Data: 1

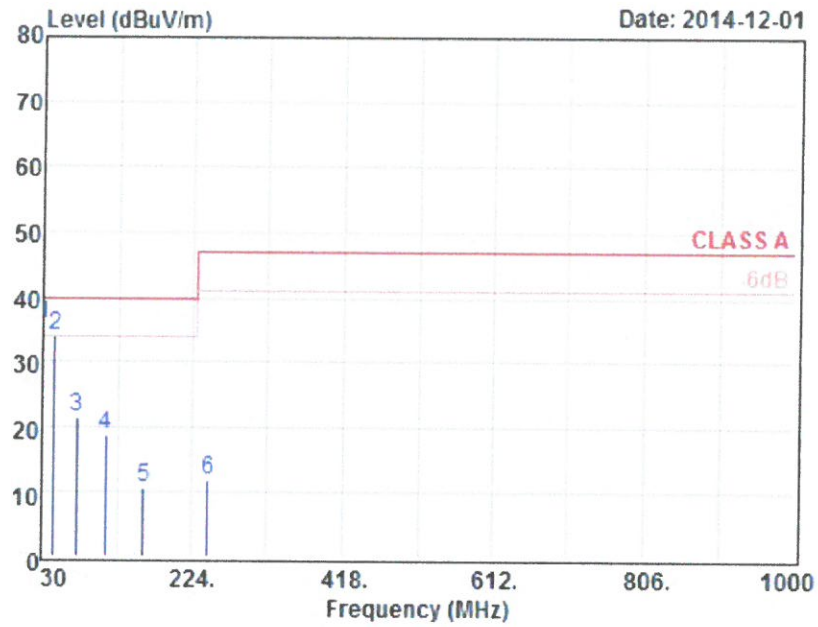


Site : open site
 Condition : CLASS A 10m VULB9160(30-1G)-104 HORIZONTAL
 EUT : 14120213
 Power :
 Mode : working
 Temperature :
 Humidity :
 Memo :

Remarks: : 1.Result=Read Value+Factor
 : 2.Factor=Antenna Factor+Cable loss-
 : Amplifier Factor

	Freq	Read Level	Level	Factor	Limit Line	Over Limit	Remark
	MHz	dBuV	dBuV/m	dB/m	dBuV/m	dB	
1 !	47.29	53.08	36.04	-17.04	40.00	-3.96	QP
2	74.99	43.73	24.27	-19.46	40.00	-15.73	QP
3	113.89	38.64	21.43	-17.21	40.00	-18.57	QP
4	176.74	25.62	9.33	-16.29	40.00	-30.67	QP
5	240.02	29.32	12.66	-16.66	47.00	-34.34	QP
6	282.59	28.87	13.77	-15.10	47.00	-33.23	QP

Data: 2



Site : open site
 Condition : CLASS A 10m VULB9160(30-1G)-104 VERTICAL
 EUT : 14120213
 Power :
 Mode : working
 Temperature :
 Humidity :
 Memo :

Remarks: : 1.Result=Read Value+Factor
 : 2.Factor=Antenna Factor+Cable loss-
 : Amplifier Factor

	Freq	Read Level	Level	Factor	Limit Line	Over Limit	Remark
	MHz	dBuV	dBuV/m	dB/m	dBuV/m	dB	
1 !	30.56	53.34	35.83	-17.51	40.00	-4.17	QP
2	46.10	50.76	33.80	-16.96	40.00	-6.20	QP
3	74.88	40.89	21.45	-19.44	40.00	-18.55	QP
4	111.99	36.24	18.88	-17.36	40.00	-21.12	QP
5	161.38	25.77	10.85	-14.92	40.00	-29.15	QP
6	244.56	28.40	11.90	-16.50	47.00	-35.10	QP

PHOTOS OF EUT

01 Front view of EUT

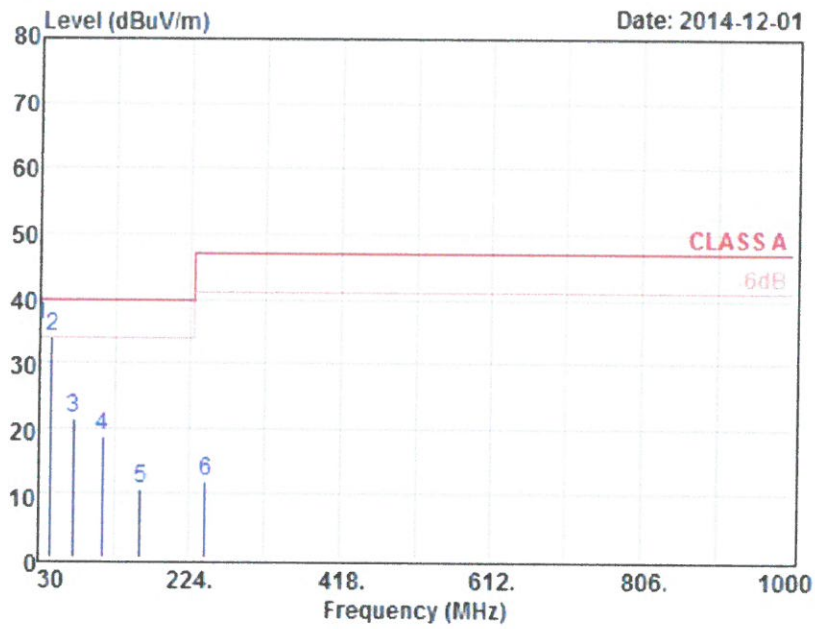


02 Rear view of EUT





Data: 2



Site : open site
 Condition : CLASS A 10m VULB9160(30-1G)-104 VERTICAL
 EUT : 14120213
 Power :
 Mode : working
 Temperature :
 Humidity :
 Memo :

 Remarks: : 1.Result=Read Value+Factor
 : 2.Factor=Antenna Factor+Cable loss-
 : Amplifier Factor

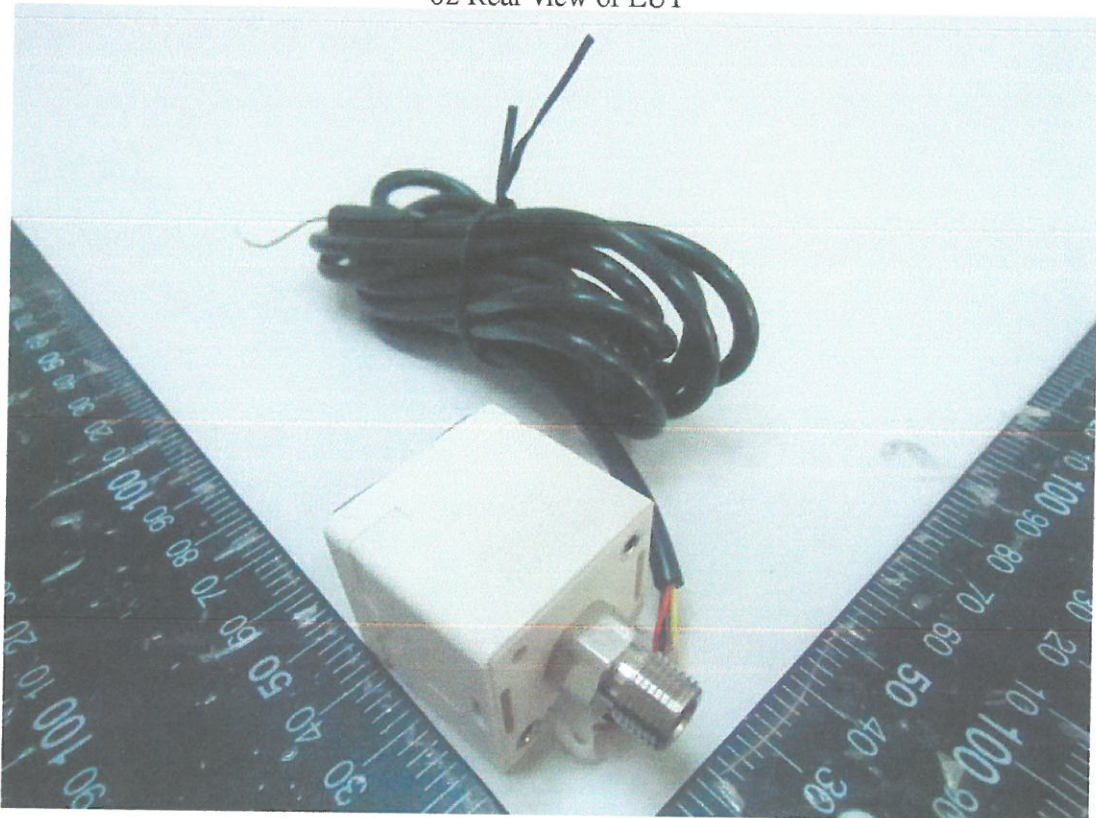
	Freq	Read Level	Level	Factor	Limit Line	Over Limit	Remark
	MHz	dBuV	dBuV/m	dB/m	dBuV/m	dB	
1 !	30.56	53.34	35.83	-17.51	40.00	-4.17	QP
2	16.10	50.76	33.00	16.00	40.00	6.00	00

PHOTOS OF EUT

01 Front view of EUT



02 Rear view of EUT



03 LABEL

Report No.:E14120213

